

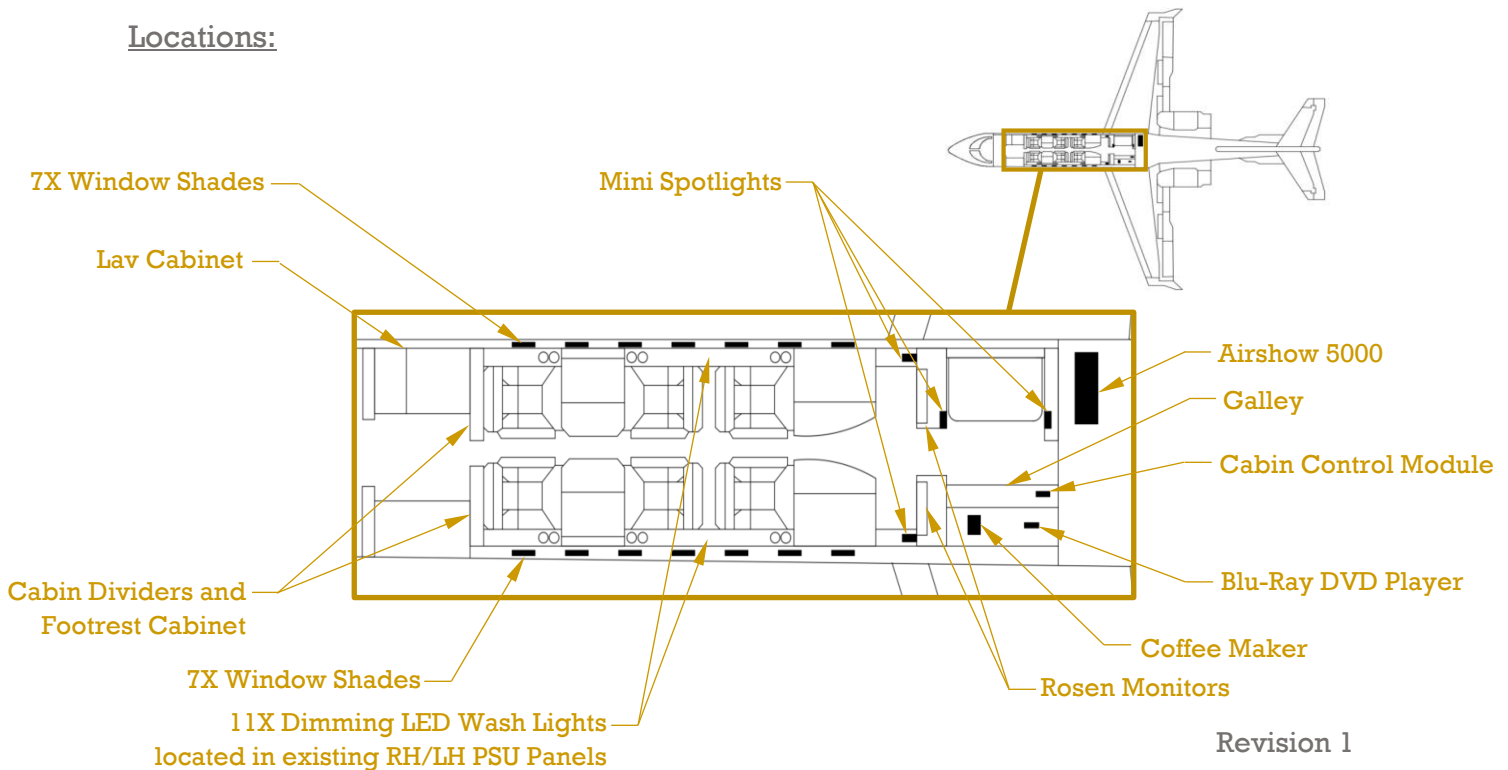
## Interior Modification STC Information Sheet

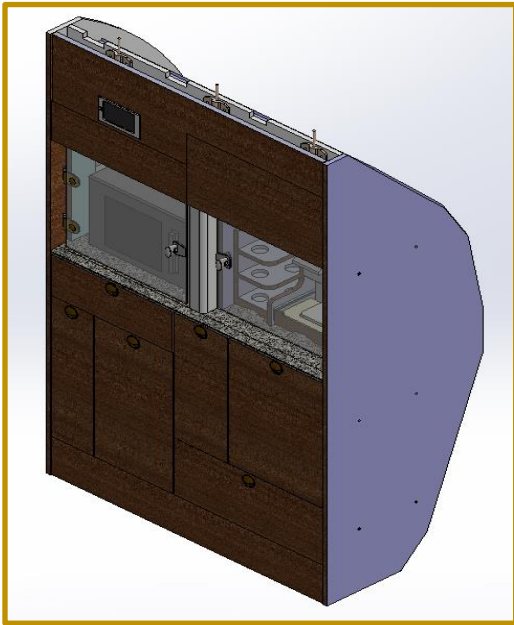
STC# ST00786DE, Bombardier Learjet model 45 aircraft (s/n 45-002 thru 45-455), one time use \$10,000

- **STC# ST00786DE allows for:**
  - The re-arrangement of the existing interior components into a new interior floorplan arrangement, with features similar to the Learjet model 75 Interior.
    - All seats will be re-upholstered.
    - New galley installed based on existing footprint.
    - New FWD RH and LH Bulkheads with fold out footrest.
    - Reconfigured PSU Panels with new LED Lights.
    - Reshaped Window panels, new window shades.
    - Repositioned executive tables.
    - Dado panels to be modified to accommodate cabin reconfiguration.
    - Passenger number in main cabin will decrease from 8 to 6.

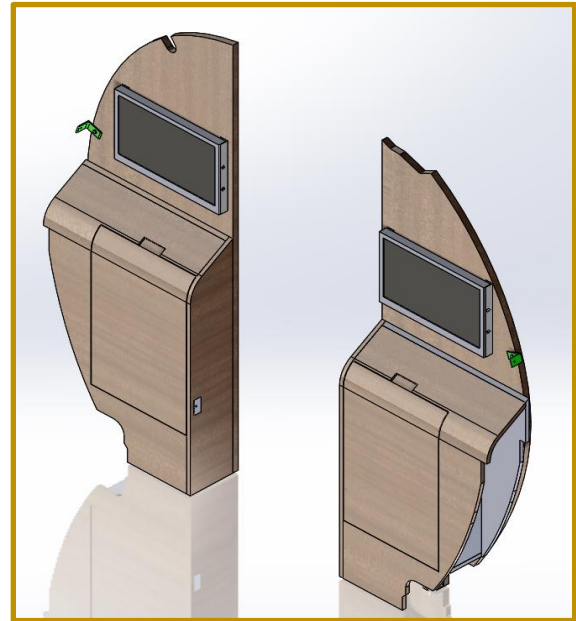
Equipment/Interior Parts Description	Part number	QTY
Lav Cabinet	CA0214-21	1
Mini Spotlight	ELMS-W1001-XX	6
3 Row Step Dimming LED Wash Lights	ELW30-XXXXXX-XX	11
Galley	CA0414-05	1
Cabin Dividers and Footrest Cabinet	CA0414-08	2
Rosen Monitor	1560-001-CD	2
Window Shade	L55-113M002-X	14
Cabin Control Module	FDCCM30	1
Airshow 500	441-1333-100	1
Blu-Ray DVD Player	0602-002	1
Coffee Maker	400-1794-10	1

### Locations:





Galley



Rosen Monitor Installs

- STC Data Package:
  - Letter of Authorization (LOA)
  - FAA STC Certificate
  - Master Data List (MDL)
  - Instructions for Continued Airworthiness (ICA)
  - Airplane Flight Manual Supplement (AFMS)
  - Weight and Balance Supplement
  - Electrical Load Analysis (ELA)
  - Wiring Diagrams
  - Structural/Installation Drawings