

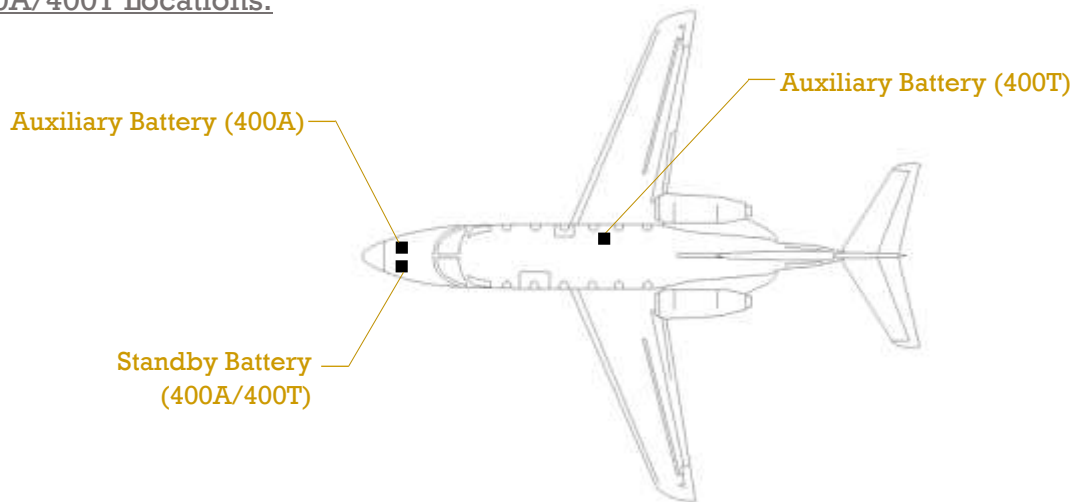
True Blue Power TS835 Emergency Power Supply STC Information Sheet

FAA STC# ST04294CH, Textron Model 400A/400T aircraft, Please Contact Nextant Aerospace at 216-261-9000 or engineering@nextantaerospace.com for STC and Kit Pricing and Availability.

- **STC# ST04294CH allows for:**
 - Replacement of existing J.E.T PS835 Power Supply with True Blue TS835 Power Supply.

Equipment Description	Part number	QTY
True Blue TS835 Auxiliary and Standby Power Supplies	MD835-1	2

400A/400T Locations:



- **True Blue TS835:**
 - 24.5 VDC Power
 - 4.5 amp-hour NanoPhosphate lithium-ion battery
 - Maintains full charge by recharging during normal flight operations
 - 63% lighter than Legacy lead-acid designs
 - Low profile design improves ease of maintenance
 - Direct replacement for L-3 Avionics / J.E.T PS835
 - 8-year life expectancy
- **STC Data Package:**
 - Letter of Authorization (LOA)
 - FAA STC Certificate
 - FAA approved Master Data List (MDL)
 - Instructions for Continued Airworthiness (ICA)
 - Airplane Flight Manual Supplement (AFMS)
 - Electrical Load Analysis (ELA)
 - Work Instructions (WKIN) Document
 - Ground Test Procedure (GTP) – Follow on Installation